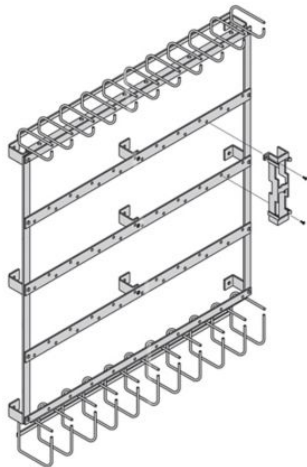


# Eaton SB7200310CZY

Catalog Number: SB7200310CZY

Eaton B-Line series wall mount cross connect frame, 30" height, 39.125" length, 39.125" width, ASTM A569 and A36 structural steel, Black powder coat, A569andA36 Steel frame yellow zinc, Steel jumper rings, Nylon block stand off brackets



## General specifications

<b>Product Name</b>	<b>Catalog Number</b>
Eaton B-Line series wall mount cross connect frame	SB7200310CZY
	<b>UPC</b>
	799038183686
<b>Product Length/Depth</b>	<b>Product Height</b>
39.125 in	30 in
<b>Product Width</b>	<b>Product Weight</b>
39.125 in	14 lb
<b>Certifications</b>	
Not Applicable	

## Product specifications

### Type

Wall mounted cross connect frame

### Material

Steel

### Application

Jumper ring provided for wire management

## Resources

### Catalogs

[Distribution frames section of the Datacomm catalog](#)

### Specifications and datasheets

[Eaton Specification Sheet - SB7200310CZY](#)



Eaton Corporation plc  
Eaton House  
30 Pembroke Road  
Dublin 4, Ireland  
Eaton.com  
© 2023 Eaton. All Rights Reserved.

Eaton is a registered trademark.

All other trademarks are property of their respective owners.



[Eaton.com/socialmedia](https://www.eaton.com/socialmedia)